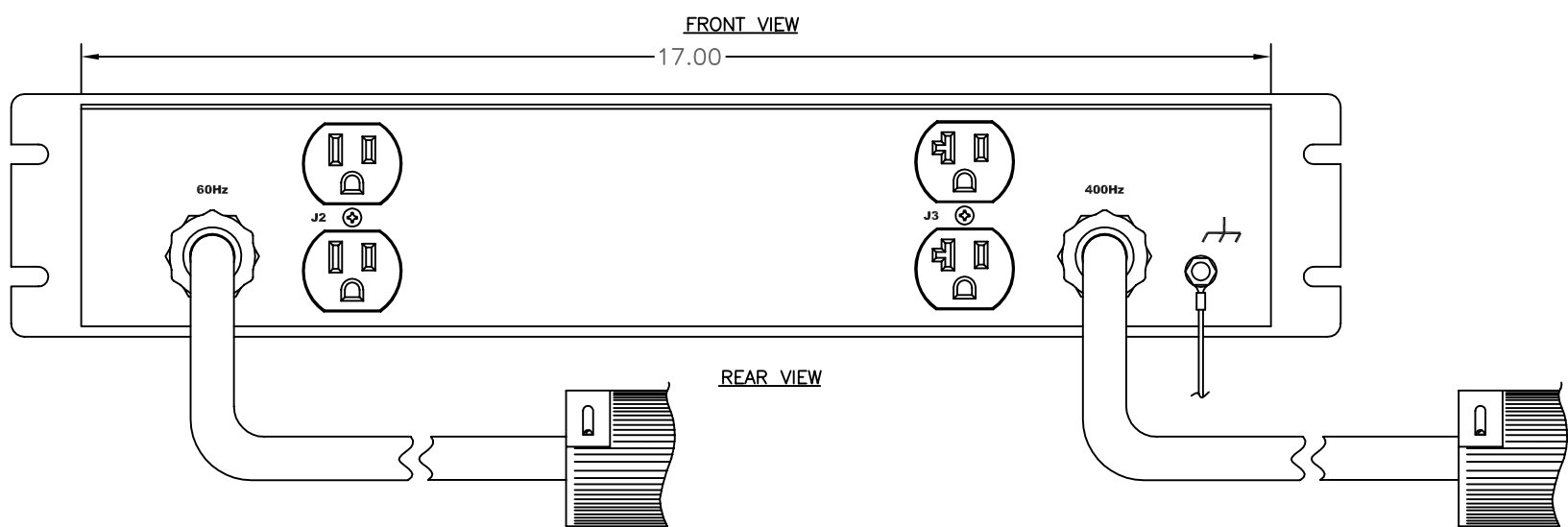
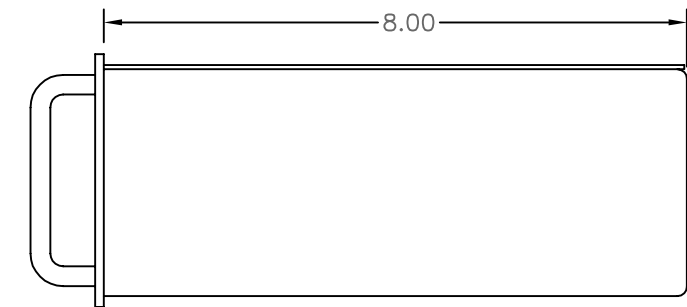
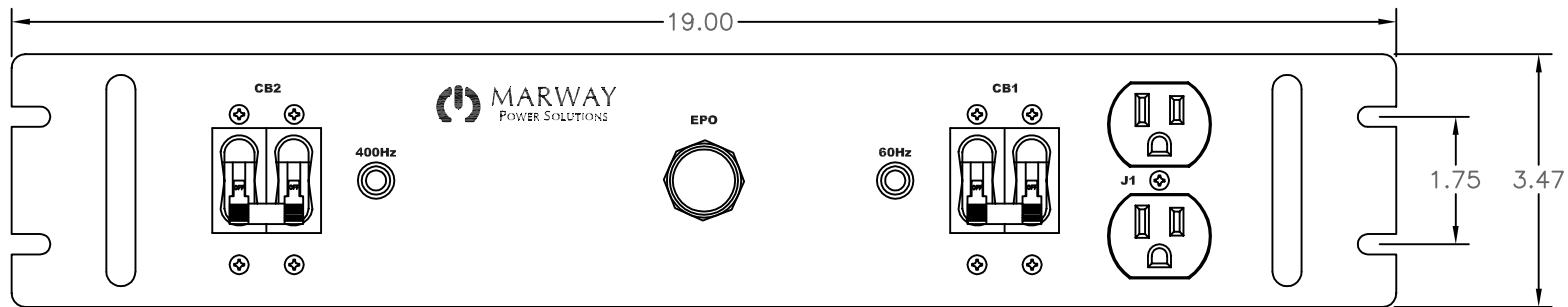


REVISIONS				
ECN#	REV	DESCRIPTION	DATE	BY
	A	INITIAL RELEASE	1/21/15	HC



Configuration	Type	Basic
	Layout	2 U
Input 1	Voltage	120 VAC, Single Phase, 60 Hz
	Max Current	20 Amps
	Max Load	1.92 KVA
	Connection	5-30P, 4 ft cord, 3-wire 10 ga, SO jacket (Rear panel)
	Voltage Monitor	None
	Current Monitor	None
Input 2	Voltage	120 VAC, Single Phase, 400 Hz
	Max Current	20 Amps
	Max Load	1.92 KVA
	Connection	10-20P, 4 ft cord, 3-wire 10ga, SO jacket (Rear panel)
	Voltage Monitor	None
	Current Monitor	None
Outlets	All Panels [1][2]	(4) 5-15R, 120V (2) 5-20R, 120V
Protection	Spike/Surge Suppression [1]	None
	EMI Filter [1]	None
	Over Current [1]	(2) 20A Main Breaker
Env Sensors	Temperature	None
	Humidity	None
	Interlocks	None
	EPO	Local EPO

Communications	Display	None
	Serial	None
	Ethernet	None
	Protocols	None
Physical	Dimensions	2 U x 19" W x 8" D
	Weight	lbs
	Materials	Chassis: Steel
	Finishes	Chassis: Zinc plated Gold, FrontPanel: Zinc plated Gray
Operating	Temperature	32°F to 122°F
	Humidity	5 %RH to 85 %RH
	Elevation	25,000 feet
Conformance	Warranty	http://www.marway.com/warranty
	Safety Certifications	None
	Environment Certifications	None
Notes:		
[1] Certain details of the circuitry may only be revealed by the schematic (available separately)		
[2] S = switched, V = monitored voltage, A = monitored amps		

UNLESS OTHERWISE SPECIFIED DIMENSIONS ARE IN INCHES TOLERANCES ARE: ANGLES DECIMALS ± .5° .XX ± .03 XXX ± .010 DO NOT SCALE DRAWING	METAL NO.	SILK NO.		1721 S. GRAND AVE. SANTA ANA, CA 92705 PH: (714) 917-6200 FX: (714) 917-6253
	APPROVALS	DATE		SPECIFICATION DRAWING-- MPD 411409
MATERIAL:	DRAWN	HC	1/21/15	SIZE CAGE CODE DWG NO.
	CHECKED			D 60955 P411409
	APPROVED			SCALE COMPUTER FILE NO. P411409 REV A SHEET 1 OF 1
FINISH:	<small>PROPRIETARY NOTICE</small> <small>THE INFORMATION CONTAINED IN THIS DRAWING IS THE SOLE PROPERTY OF MARWAY POWER SOLUTIONS. ANY REPRODUCTION IN PART OR AS A WHOLE WITHOUT THE WRITTEN PERMISSION OF MARWAY POWER SOLUTIONS IS STRICTLY PROHIBITED.</small>			REV A