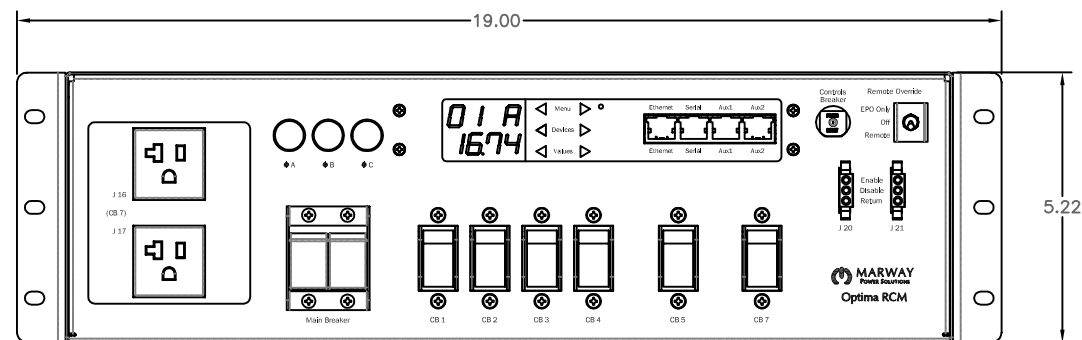
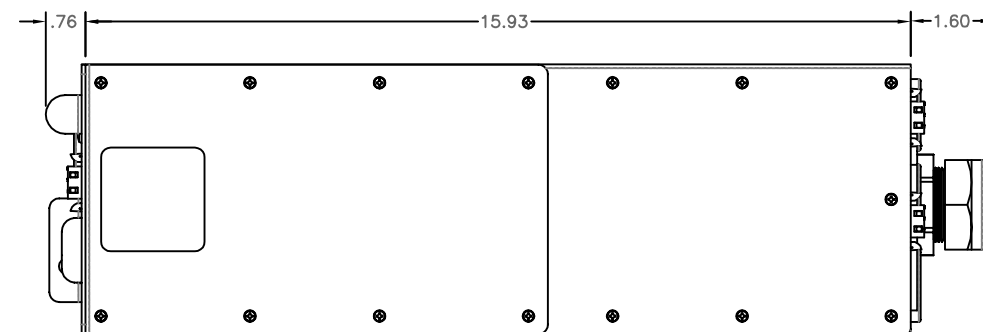


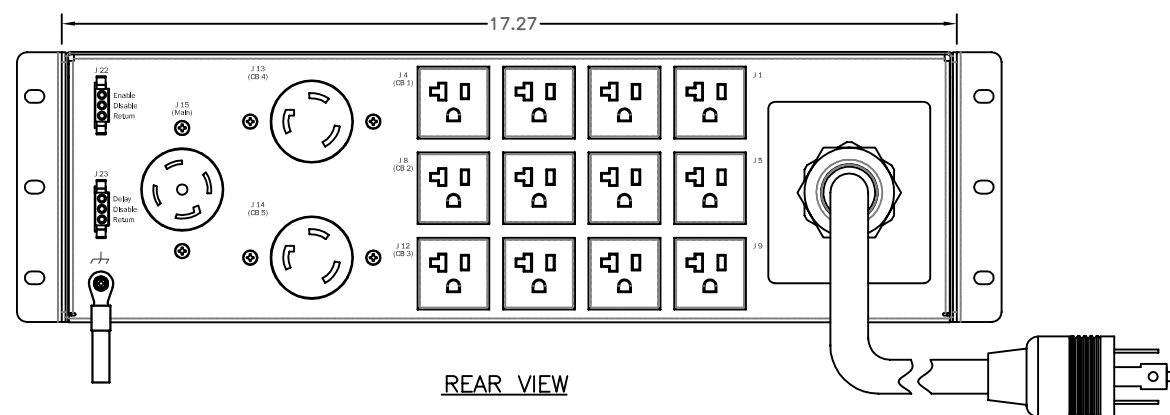
| REVISIONS | | | | |
|-----------|-----|-----------------|---------|----|
| ECN# | REV | DESCRIPTION | DATE | BY |
| | A | INITIAL RELEASE | 6/30/17 | HC |



FRONT VIEW



SIDE VIEW



REAR VIEW

| | | |
|----------------|-----------------------------|--|
| Configuration | Features | VMtr, AMtr, rEPO, EMI, Srg |
| | Layout | 3 U |
| Input 1 | Voltage | 120/208 Vac, 3-Phase Wye, 50/60 Hz |
| | Max Current | 30 Amps |
| | Max Load | 2.88 KVA, 8.63 KVA |
| | Connection | L21-30P, 9 ft cord, 5-wire 10 ga, ST jacket (Rear panel) |
| | Voltage Monitor | Digital, ±1% Full Scale |
| | Current Monitor | Digital, ±1% Full Scale |
| Outlets | All Panels [1][2] | (2) 5-20R, 120V (12) 5-20R, 120V (S) (1) L21-30R, 120/208V (S) (2) L5-30R, 120V (S) |
| Protection | Spike/Surge Suppression [1] | Yes |
| | EMI Filter [1] | Yes |
| | Over Current [1] | (1) 30A Main Breaker (2) 30A Circuit Breaker (4) 20A Circuit Breaker |
| Env Sensors | Temperature | 2 |
| | Humidity | 2 |
| | Interlocks | None |
| | EPO | Remote EPO Type N.O./N.O. |
| Communications | Display | Multi-function Controller |
| | Serial | RS-232 (RJ-45) |
| | Ethernet | 10T/100T Auto |
| | Protocols | HTTP, HTTPS, Telnet, SSH, FTP, SMTP, SNMPv2, SNMPv3, SNMP, AlertLog |

| | | |
|-------------|--|---|
| Physical | Dimensions | 3 U x 19" W x 16" D |
| | Weight | lbs |
| | Materials | Chassis: Steel |
| | Finishes | Chassis: Painted Black, FrontPanel: Painted Black |
| Operating | Temperature | 32°F to 122°F |
| | Humidity | 5%RH to 85%RH |
| | Elevation | 25,000 feet |
| Conformance | Warranty | http://www.marway.com/warranty |
| | Safety Certifications | None |
| | Environment Certifications | None |
| Notes: | [1] Certain details of the circuitry may only be revealed by the schematic (available separately) [2] S = switched, V = monitored voltage, A = monitored amps | |

| | | | | | | | |
|--|--|-----------|------|----------|-----------|---|--------------------|
| UNLESS OTHERWISE SPECIFIED DIMENSIONS ARE IN INCHES (MILLIMETERS) TOLERANCES ARE: ANGLES ± .5° DECIMALS .001 ± .003 INCHES .000 ± .010 | | METAL NO. | | SILK NO. | | MARWAY POWER SOLUTIONS 1721 S. GRAND AVE. SANTA ANA, CA 92705 PH: (714) 917-6200 FX: (714) 917-6253 | |
| DO NOT SCALE DRAWING | | APPROVALS | | DATE | | | |
| MATERIAL: | | DRAWN | | 6/30/17 | | | |
| FINISH: | | CHECKED | | APPROVED | | | |
| <small>PROPRIETARY NOTICE</small> THE INFORMATION CONTAINED IN THIS DRAWING IS THE SOLE PROPERTY OF MARWAY POWER SOLUTIONS. ANY REPRODUCTION IN PART OR AS A WHOLE WITHOUT THE WRITTEN PERMISSION OF MARWAY POWER SOLUTIONS IS STRICTLY PROHIBITED. | | SCALE | NONE | SIZE | CAGE CODE | DWG NO. | REV |
| | | | | D | 60955 | 833012-PSW-000 | A |
| | | | | | | P833012-PSW-000 | REV A SHEET 1 OF 1 |