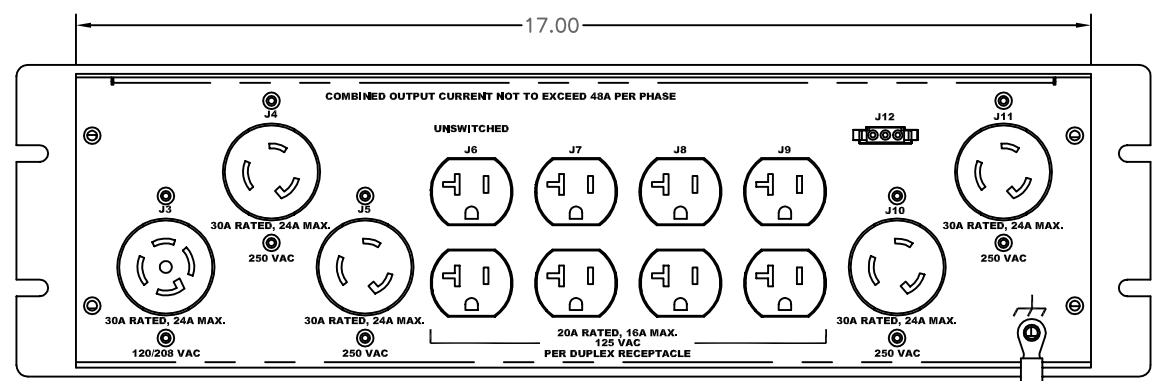
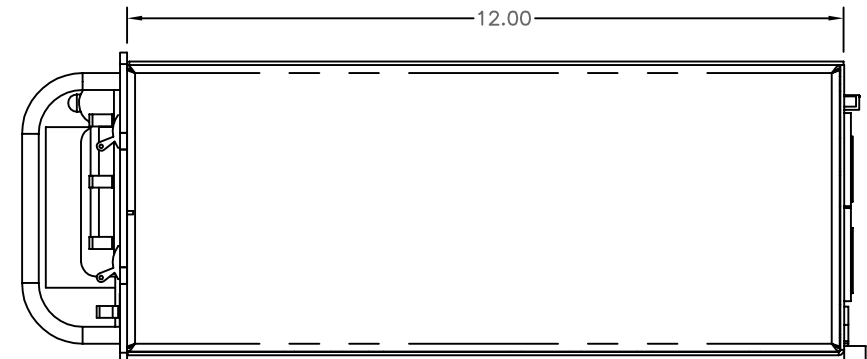
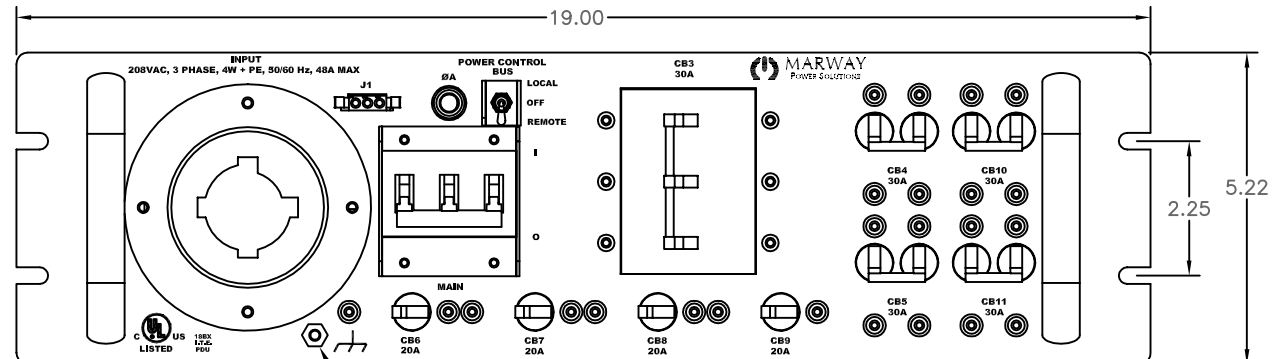


REVISIONS				
ECN#	REV	DESCRIPTION	DATE	BY
	A	INITIAL RELEASE	11/17/14	HC



Configuration	Type	Remote EPO
	Layout	3 U
Input 1	Voltage	120/208 VAC, 3-Phase Wye, 50/60 Hz
	Max Current	60 Amps
	Max Load	5.76 KVA, 17.27 KVA
	Connection	Pin and Sleeve
	Voltage Monitor	None
	Current Monitor	None
Outlets	All Panels [1][2]	(2) 5-20R, 120V (6) 5-20R, 120V (S) (1) L21-30R, 120/208V (S) (4) L6-30R, 208V (S)
Protection	Spike/Surge Suppression [1]	Yes
	EMI Filter [1]	Yes
	Over Current [1]	(1) 60A Main Breaker (5) 30A Circuit Breaker (4) 20A Circuit Breaker
Env Sensors	Temperature	None
	Humidity	None
	Interlocks	None
	EPO	Remote EPO Type N.O./None
Communications	Display	None
	Serial	None
	Ethernet	None
	Protocols	None

Physical	Dimensions	3 U x 19" W x 12" D
	Weight	41 lbs
	Materials	Chassis: Steel
	Finishes	Chassis: Zinc plated Gold, FrontPanel: Zinc plated Black
Operating	Temperature	32°F to 104°F
	Humidity	5 %RH to 85 %RH
	Elevation	25,000 feet
Conformance	Warranty	http://www.marway.com/warranty
	Safety Certifications	UL
	Environment Certifications	None
Notes:		
[1] Certain details of the circuitry may only be revealed by the schematic (available separately)		
[2] S = switched, V = monitored voltage, A = monitored amps		

UNLESS OTHERWISE SPECIFIED DIMENSIONS ARE IN INCHES TOLERANCES ARE: ANGLES DECIMALS ± .5° .001 ± .03 300K ± .010 DO NOT SCALE DRAWING	MATERIAL:	APPROVALS	DATE	 1721 S. GRAND AVE. SANTA ANA, CA 92705 PH: (714) 917-6200 FX: (714) 917-6253									
	FINISH:	<table border="1"> <tr> <td>METAL NO.</td> <td>SILK NO.</td> </tr> <tr> <td>APPROVED</td> <td>DATE</td> </tr> <tr> <td>DRAWN</td> <td>HC</td> </tr> <tr> <td>CHECKED</td> <td>11/17/14</td> </tr> <tr> <td>APPROVED</td> <td></td> </tr> </table>	METAL NO.		SILK NO.	APPROVED	DATE	DRAWN	HC	CHECKED	11/17/14	APPROVED	
METAL NO.	SILK NO.												
APPROVED	DATE												
DRAWN	HC												
CHECKED	11/17/14												
APPROVED													
<small>PROPRIETARY NOTICE</small> THE INFORMATION CONTAINED IN THIS DRAWING IS THE SOLE PROPERTY OF MARWAY POWER SOLUTIONS. ANY REPRODUCTION IN PART OR AS A WHOLE WITHOUT THE WRITTEN PERMISSION OF MARWAY POWER SOLUTIONS IS STRICTLY PROHIBITED.		SIZE: D CAGE CODE: 60955 SCALE:	DWG NO.: P41620-120B REV: A COMPUTER FILE NO.: P41620-120B REV A SHEET 1 OF 1										