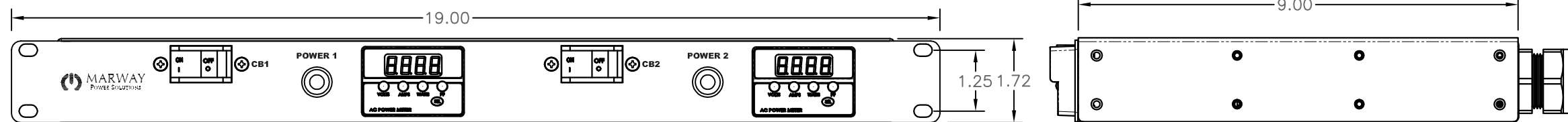
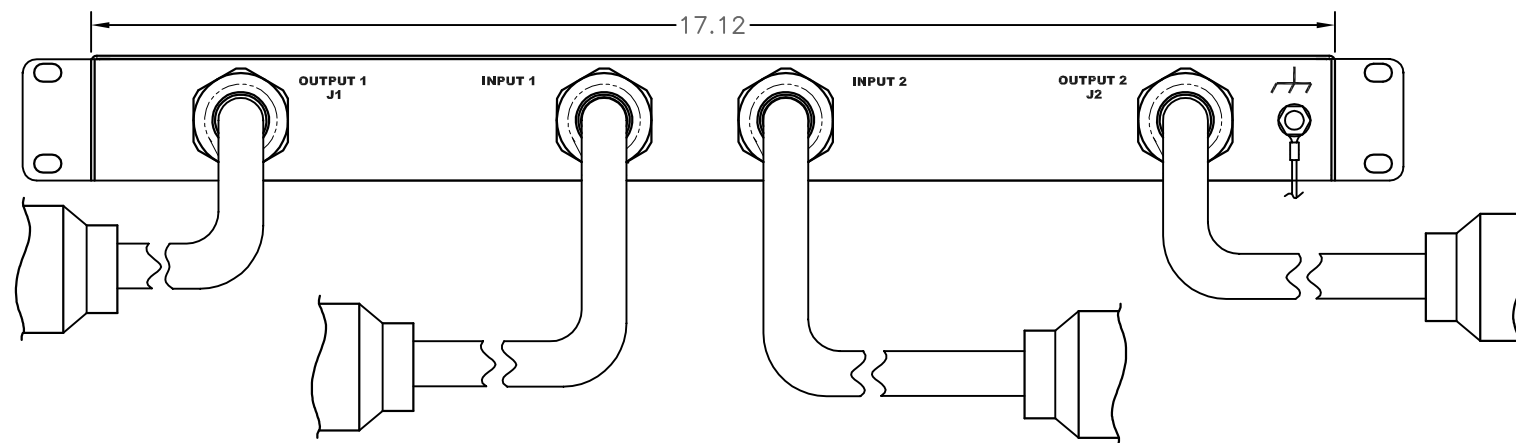


REVISIONS				
ECN#	REV	DESCRIPTION	DATE	BY
	A	INITIAL RELEASE	12/10/15	HC



FRONT VIEW

SIDE VIEW



REAR VIEW

Configuration	Features	VMtr, Amtr, EMI
	Layout	1 U
Input 1	Voltage	200-240 Vac, Single Phase, 60 Hz
	Max Current	30 Amps
	Max Load	5.76 KVA
	Connection	L6-30P, 9 ft cord, 3-wire 10 ga, SJT jacket (Rear panel)
Input 2	Voltage Monitor	Digital, ±1%
	Current Monitor	Digital, ±1%
	Voltage	200-240 Vac, Single Phase, 60 Hz
	Max Current	30 Amps
Outlets	Max Load	5.76 KVA
	Connection	L6-30P, 9 ft cord, 3-wire 10 ga, SJT jacket (Rear panel)
	Voltage Monitor	Digital, ±1%
	Current Monitor	Digital, ±1%
Protection	All Panels [1][2]	(2) L6-30R, 250V
	Spike/Surge Suppressor	None
	EMI Filter [1]	Yes
	Over Current [1]	(2) 30A Main Breaker
Env Sensors	Temperature	None
	Humidity	None
	Interlocks	None
	EPO	None
Communications	Display	Multi-function Controller
	Serial	None
	Ethernet	None
	Protocols	None

Physical	Dimensions	1 U x 19" W x 9" D
	Weight	lbs
	Materials	Chassis: Steel
	Finishes	Chassis: Zinc plated Black, FrontPanel: Zinc plated Black
Operating	Temperature	32°F to 122°F
	Humidity	5 %RH to 85 %RH
	Elevation	25,000 feet
Conformance	Warranty	http://www.marway.com/warranty
	Safety Certifications	None
	Environment Certificatio	None
Notes:		
[1] Certain details of the circuitry may only be revealed by the schematic (available separately)		
[2] S = switched, V = monitored voltage, A = monitored amps		

UNLESS OTHERWISE SPECIFIED DIMENSIONS ARE IN INCHES TOLERANCES ARE: ANGLES ± .5° DECIMALS .03 X.XX ± .010 DO NOT SCALE DRAWING		METAL NO.	SILK NO.		
APPROVALS		DATE		1721 S. GRAND AVE. SANTA ANA, CA 92705 PH: (714) 917-6200 FX: (714) 917-6253	
DRAWN		DATE		SPECIFICATION DRAWING-- MPD 411341-064	
CHECKED		DATE		SIZE CAGE CODE DWG NO. REV	
APPROVED		DATE		D 60955 411341-064 A	
FINISH:		SCALE		P411341-064 REV A SHEET 1 OF 1	