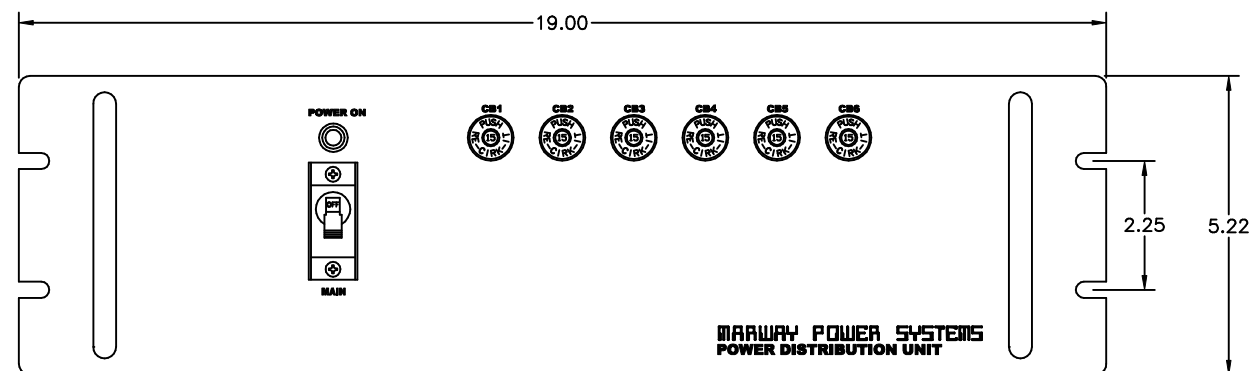
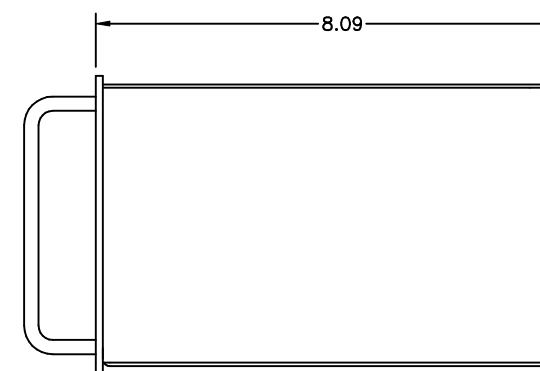


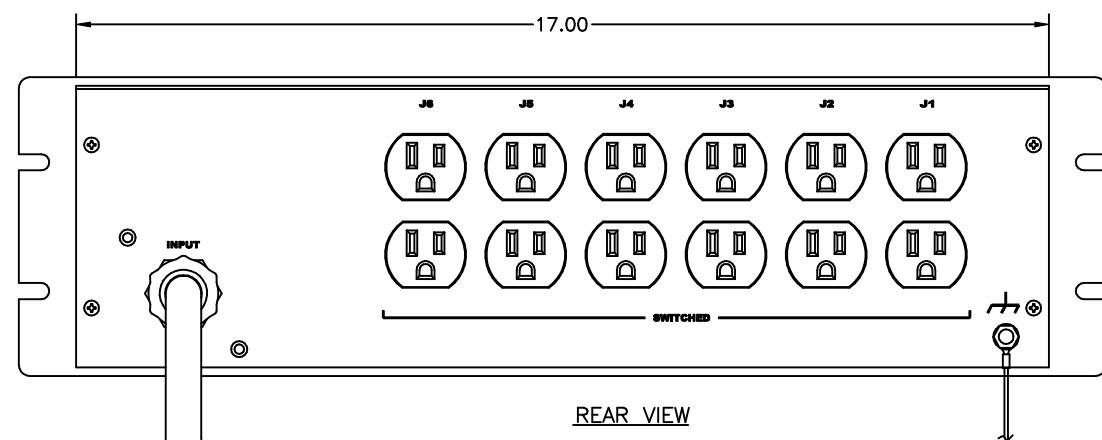
| REVISED | | DESCRIPTION | DATE | BY |
|---------|-----|-----------------|---------|----|
| ECO# | REV | | | |
| | A | INITIAL RELEASE | 7/16/10 | HC |



FRONT VIEW



SIDE VIEW



REAR VIEW

POWER CABLE
8/3 SO TYPE
10' LONG

| | | |
|----------------|-----------------------------|--|
| Configuration | Type | Basic |
| | Layout | 3 U |
| Input 1 | Voltage | 120 VAC, Single Phase, 50/60 Hz |
| | Max Current | 40 Amps |
| | Max Load | 3.84 KVA |
| | Connection | Pigtail, 10 ft cord, 3-wire 8 ga, SO jacket (Rear panel) |
| | Voltage Monitor | None |
| | Current Monitor | None |
| Outlets | All Panels [1][2] | (12) 5-15R, 120V |
| Protection | Spike/Surge Suppression [1] | Yes |
| | EMI Filter [1] | Yes |
| | Over Current [1] | (1) 40A Main Breaker (6) 15A Circuit Breaker |
| Env Sensors | Temperature | None |
| | Humidity | None |
| | Interlocks | None |
| | EPO | None |
| Communications | Display | None |
| | Serial | None |
| | Ethernet | None |
| | Protocols | None |

| | | |
|-------------|----------------------------|---|
| Physical | Dimensions | 3 U x 19" W x 8" D |
| | Weight | lbs |
| | Materials | Chassis: Steel |
| | Finishes | Chassis: Zinc plated Gold, FrontPanel: Zinc plated Gold |
| Operating | Temperature | 32°F to 122°F |
| | Humidity | 5 %RH to 85 %RH |
| | Elevation | 25,000 feet |
| Conformance | Warranty | http://www.marway.com/warranty |
| | Safety Certifications | None |
| | Environment Certifications | None |
| Notes: | | |
| | | [1] Certain details of the circuitry may only be revealed by the schematic (available separately) |
| | | [2] S = switched, V = monitored voltage, A = monitored amps |

PROPRIETARY NOTICE

ALL PATENT OR OTHER PROPRIETARY RIGHTS PERTAINING TO THE ITEMS SOLD HERE UNDER SHALL REMAIN THE SOLE PROPERTY OF MARWAY POWER SOLUTIONS EXCEPT THAT THE PURCHASER SHALL HAVE THE RIGHT TO USE SUCH ITEMS FOR THEIR INTENDED PURPOSE.

| | | | |
|---|--|--------------------------------|----------|
| UNLESS OTHERWISE SPECIFIED DIMENSIONS ARE IN INCHES TOLERANCES ARE: ANGLES DECIMALS ± 1/2° .001 ± .03 DO NOT SCALE DRAWING | | METAL NO. | SILK NO. |
| MATERIAL: | | APPROVALS | DATE |
| FINISH: | | DRAWN | 7/16/10 |
| | | CHECKED | |
| | | APPROVED | |
| DRAWN: HC | | DATE: 7/16/10 | |
| SCALE: NONE | | P411092-001 REV A SHEET 1 OF 1 | |

MARWAY
POWER SOLUTIONS
17500 GILLETTE AVE.
IRVINE, CA 92614
Ph (714) 917-6200
FAX (714) 917-6253
TOLL FREE 800 462-7929

SPECIFICATION DRAWING—
MPD 411092-001

SIZE: D FSCM NO. 60955 DWG NO. 411092-001 REV A