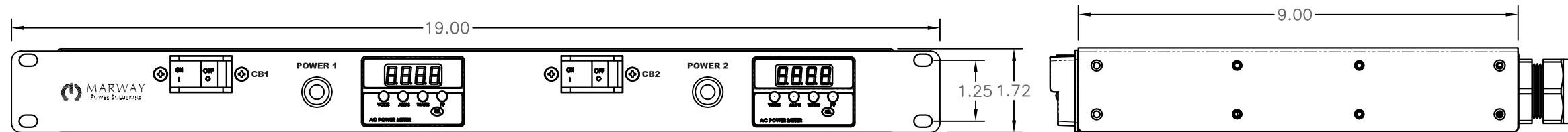
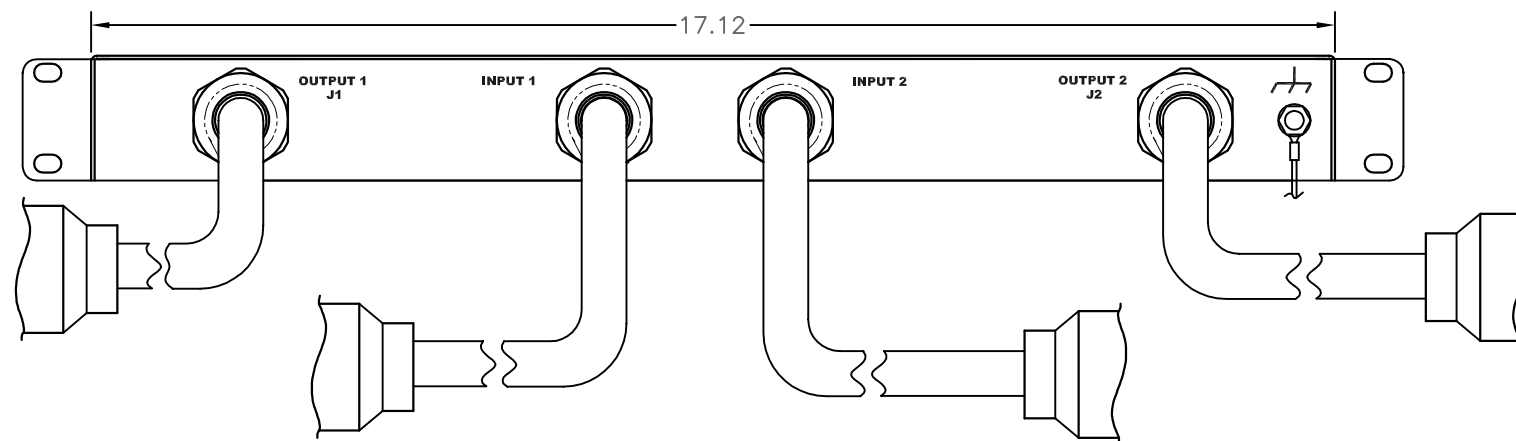


REVISIONS				
ECN#	REV	DESCRIPTION	DATE	BY
	A	INITIAL RELEASE	12/10/15	HC



FRONT VIEW

SIDE VIEW



REAR VIEW

Configuration	Features	VMtr, Amtr
	Layout	1 U
Input 1	Voltage	200-240 Vac, Single Phase, 60 Hz
	Max Current	30 Amps
	Max Load	5.76 KVA
	Connection	L6-30P, 9 ft cord, 3-wire 10 ga, SJT jacket (Rear panel)
Input 2	Voltage	200-240 Vac, Single Phase, 60 Hz
	Max Current	30 Amps
	Max Load	5.76 KVA
	Connection	L6-30P, 9 ft cord, 3-wire 10 ga, SJT jacket (Rear panel)
Outlets	All Panels [1][2]	(2) L6-30R, 250V
	Protection	Spike/Surge Suppression [1] None EMI Filter [1] None Over Current [1] (2) 30A Main Breaker
	Env Sensors	Temperature None Humidity None Interlocks None EPO None
Communications	Display	Multi-function Controller
	Serial	None
	Ethernet	None
	Protocols	None

Physical	Dimensions	1 U x 19" W x 9" D
	Weight	lbs
	Materials	Chassis: Steel
Operating	Finishes	Chassis: Zinc plated Black, FrontPanel: Zinc plated Black
	Temperature	32°F to 122°F
	Humidity	5 %RH to 85 %RH
Conformance	Elevation	25,000 feet
	Warranty	http://www.marway.com/warranty
	Safety Certifications	None
	Environment Certifications	None

Notes:
 [1] Certain details of the circuitry may only be revealed by the schematic (available separately)
 [2] S = switched, V = monitored voltage, A = monitored amps

UNLESS OTHERWISE SPECIFIED DIMENSIONS ARE IN INCHES TOLERANCES ARE: ANGLES ± .5° DECIMALS .XX ± .03 XXX ± .010 DO NOT SCALE DRAWING		METAL NO.	SILK NO.	1721 S. GRAND AVE. SANTA ANA, CA 92705 PH: (714) 917-6200 FX: (714) 917-6253	
APPROVALS		DATE		SPECIFICATION DRAWING-- MPD 411341-063	
MATERIAL:	DRAWN	HC	12/10/15	SIZE	CAGE CODE
	CHECKED			D	60955
	APPROVED			DWG NO.	411341-063
FINISH:	PROPRIETARY NOTICE THE INFORMATION CONTAINED IN THIS DRAWING IS THE SOLE PROPERTY OF MARWAY POWER SOLUTIONS ANY REPRODUCTION IN PART OR AS A WHOLE WITHOUT THE WRITTEN PERMISSION OF MARWAY POWER SOLUTIONS IS STRICTLY PROHIBITED.		SCALE	COMPUTER FILE NO.	P411341-063 REV A SHEET 1 OF 1